



HDP

TNR COMBINES RUGGED DURABILITY WITH HIGH PERFORMANCE DRIVE SYSTEMS.

High performance **SPRINGLESS LOW HEADROOM** rubber rollup door is best suited for underground parking applications with door impact concerns • high traffic and continual vehicle flow • low maintenance costs



**High performance, high speed, high impact doors
for your challenging environments.**

visit us online at www.tnrdoors.com

HDP

HDP: HEAVY DUTY PARKING



TNR[®] leads the way with a SPRINGLESS LOW HEADROOM Rubber rollup door for parking applications

Peace of mind with maximum uptime in your fast pace, non-stop rugged workplace. Process and Maintenance Engineers recognize the value of TNR's proven indestructibility and endurance qualities combined with high speed performance. Repeat Customers are: condos, office complex, hotels, parking garages, airports.

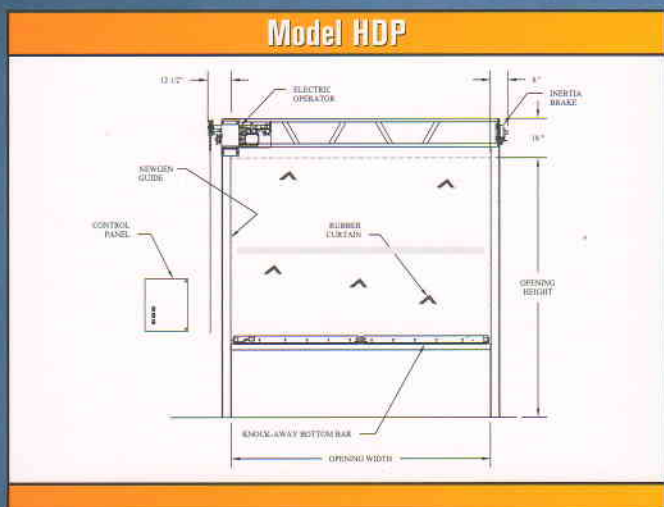
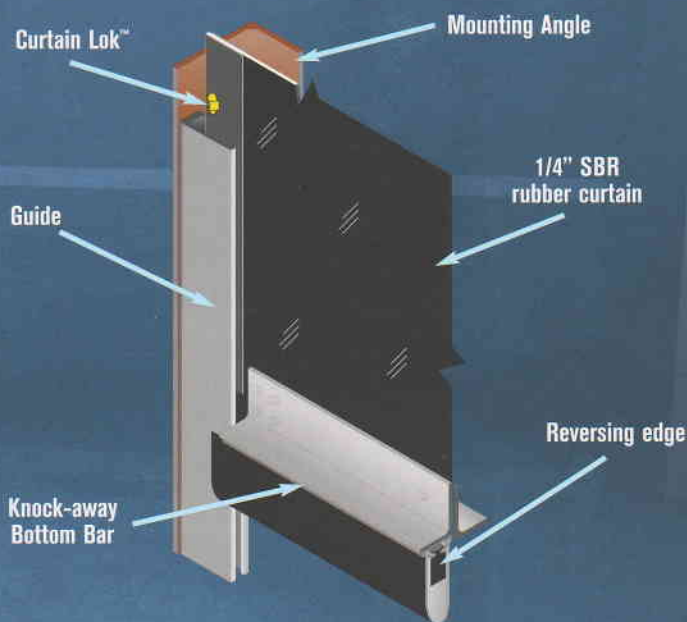
TNR[®] Mechanical Components

- 1/4" Black SBR rubber with polyester core weave. Flexible and resistant to abusive environments and impacts in temperatures from -40°F to +180°F
- Patented NEWGEN[®] guide and Curtain Lok[™] system. Reliable and consistent door operation and impact release performance. No guide gap maintenance required.
- Impactable: After impact, the door is up and running in minutes
- Knock-away double angle steel bottom bar with rubber loop and reversing edge
- Sleek profile with easy installation, reduced clearances & minimal maintenance. No hinges, cables, pulleys or tension springs
- Self-supporting steel frame
- Frame mounted thru-beam photoelectric sensor.
- Options: colors, windows, hoods, traveling windbar and MSHA-rated self-extinguishing curtains

TNR[®] Built to your needs Drive Systems

- High Efficiency Helical Gear Head (HG) Operator with multi-function capacity PLC
- Door Speed: up to 30 inches per second
- Options: access controls and specialty functions

NEWGEN[®] Guide and Curtain Lok[™] system



| | | HDP |
|------------------------------|---|------------|
| Opening speed: | Measured inches per second | 30 |
| Door size: | See chart above | ■ |
| Clearance: | Headroom = 18" | ■ |
| Max wind resistance: | 88mph (20psf) | ■ |
| Springless design: | Direct connect inertia brake mounted on the drive barrel shaft | ■ |
| Type of curtain: | 1/4" Black SBR rubber with polyester core weave | ■ |
| Reversing edge: | Pressure sensitive air-wave edge | ■ |
| Control panel: | PLC and Inverter Drive soft start, soft stop | ■ |
| Activation: | Remotes, pull cards, loop detectors, etc. | ■ |
| Self-Supporting Steel Frame: | Steel Mounting Angle | ■ |
| Warranty: | Two years on parts and workmanship. Limited lifetime warranty on curtain and NEWGEN [®] Guide. | ■ |